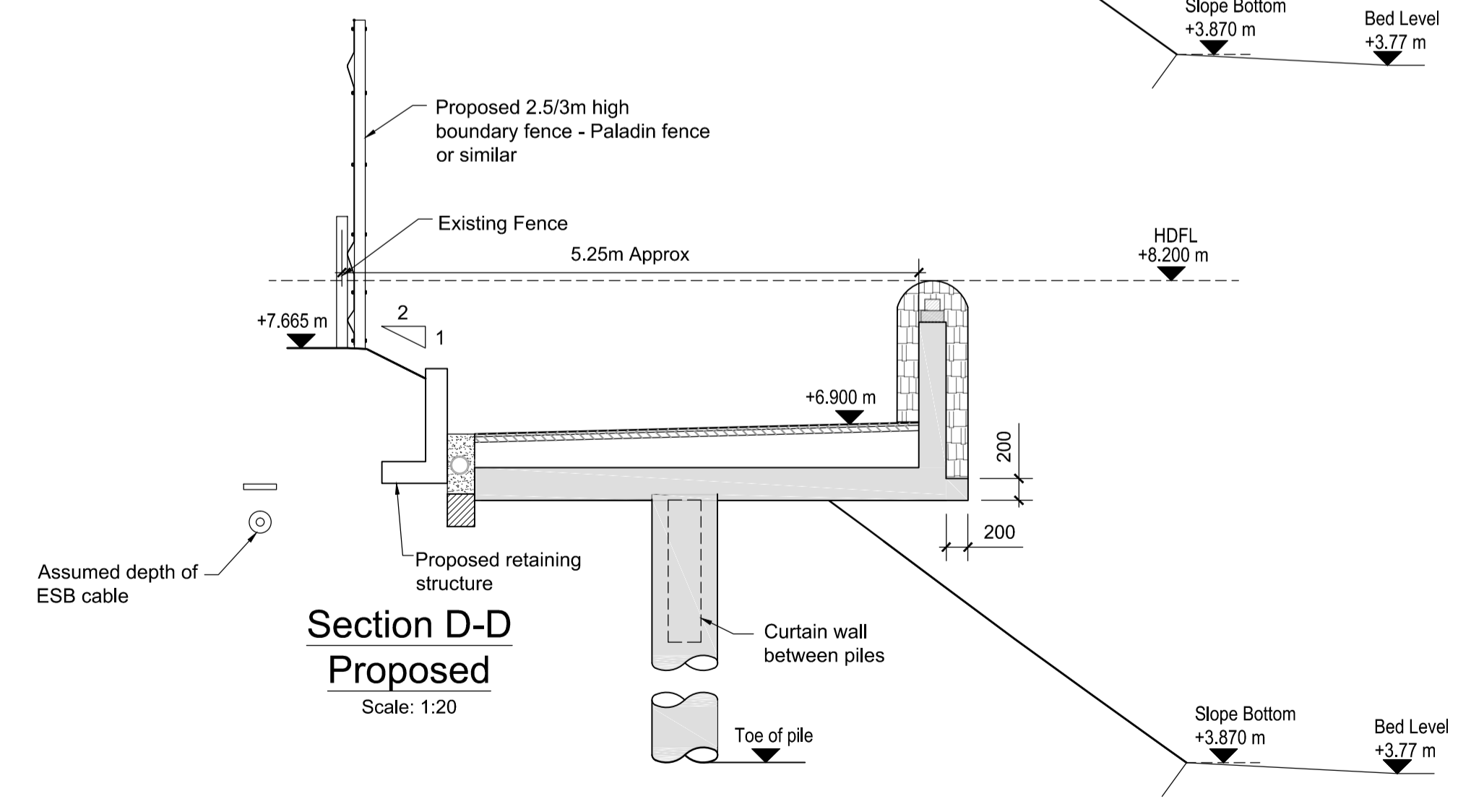
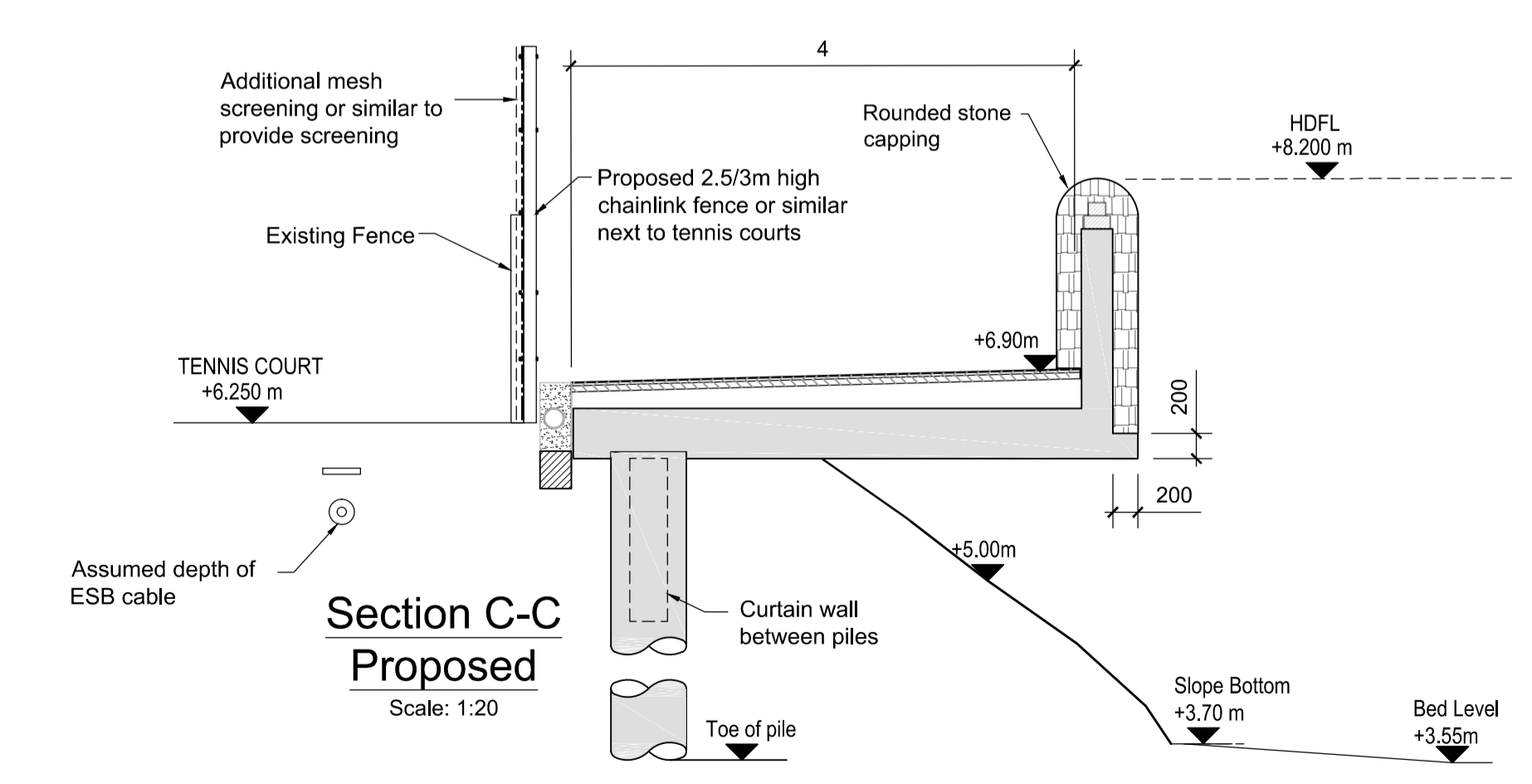
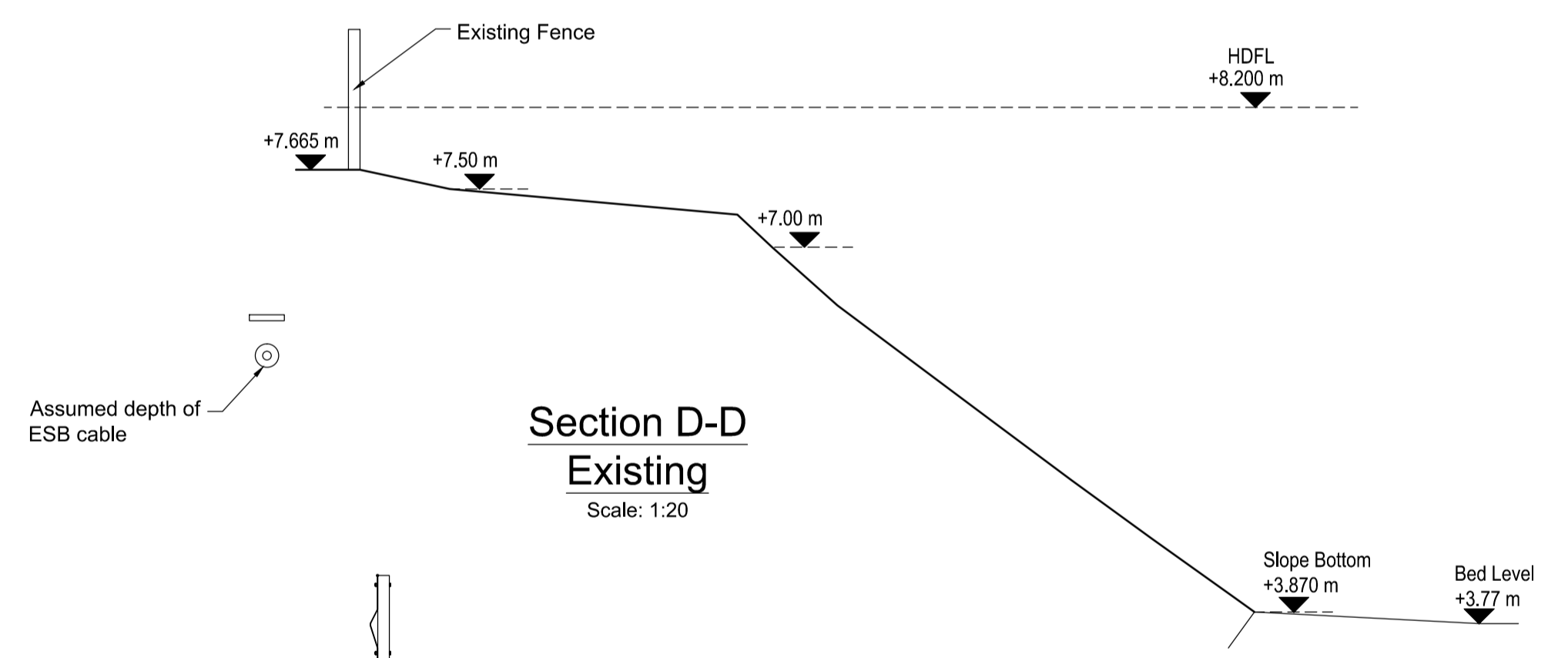
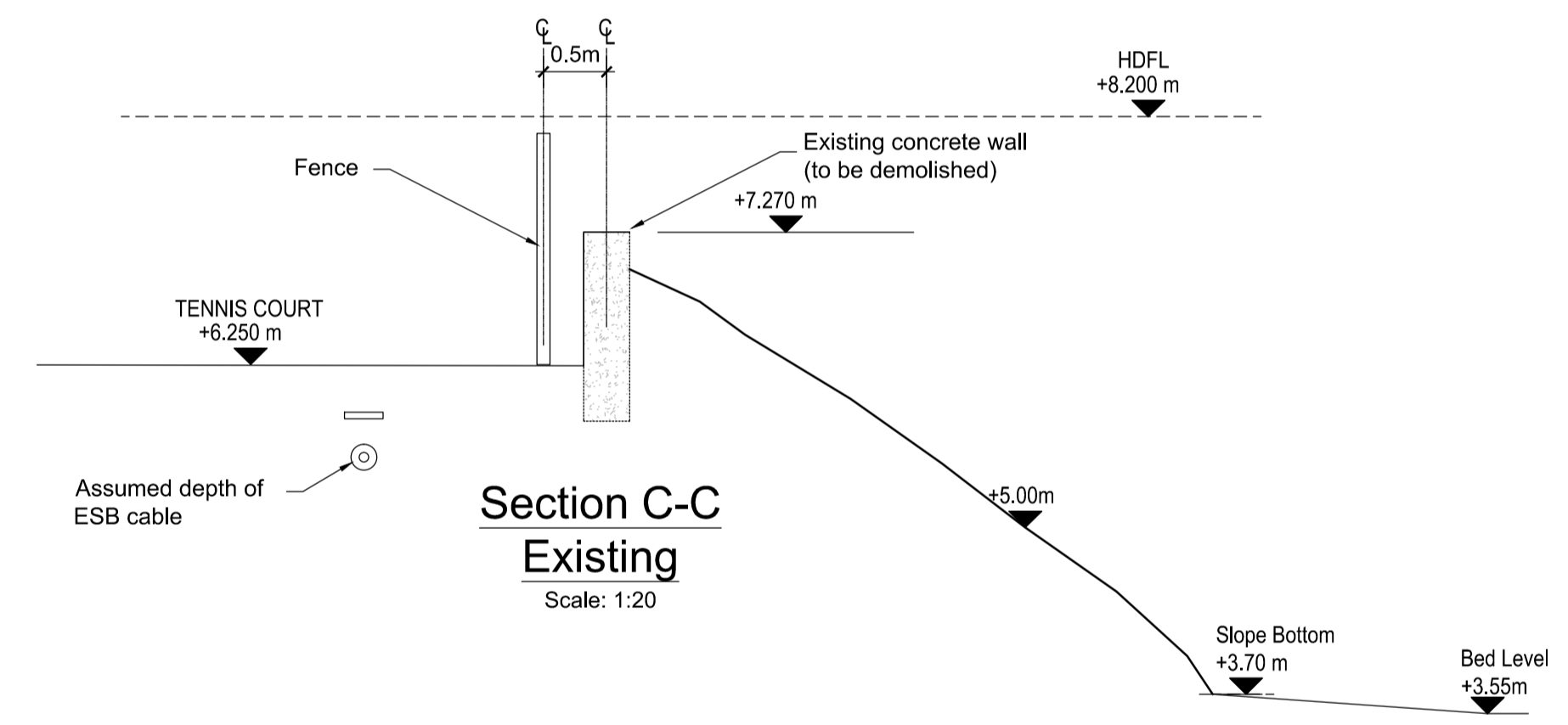
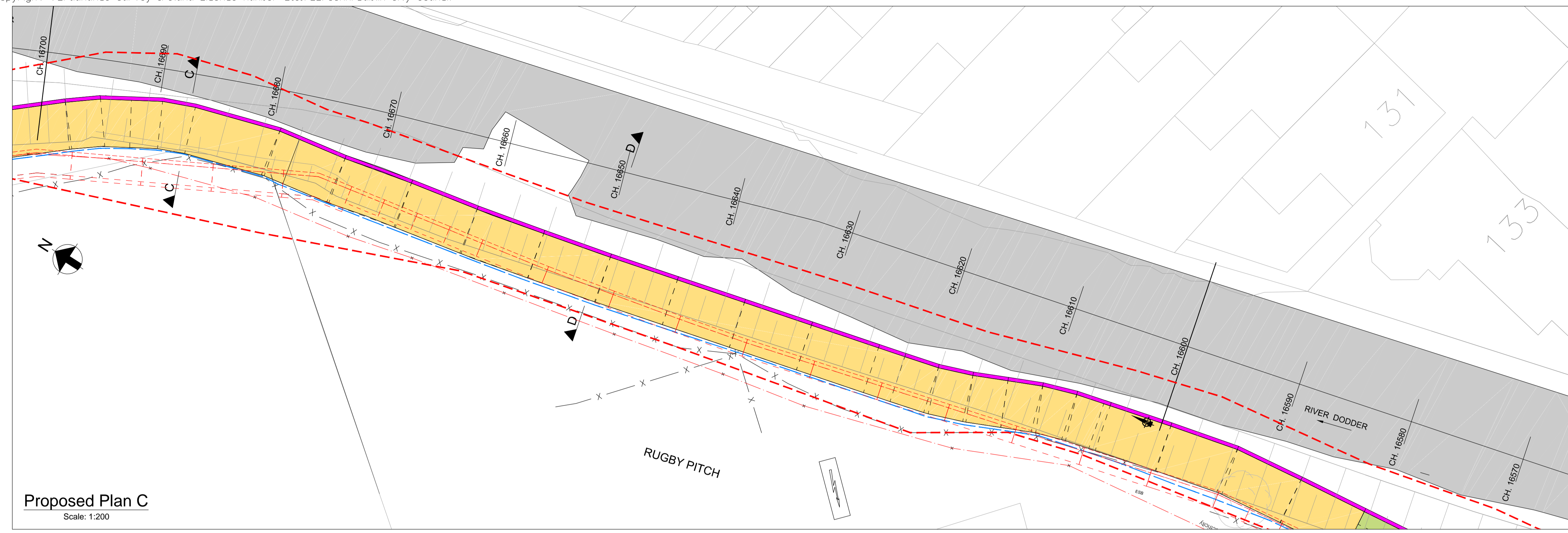
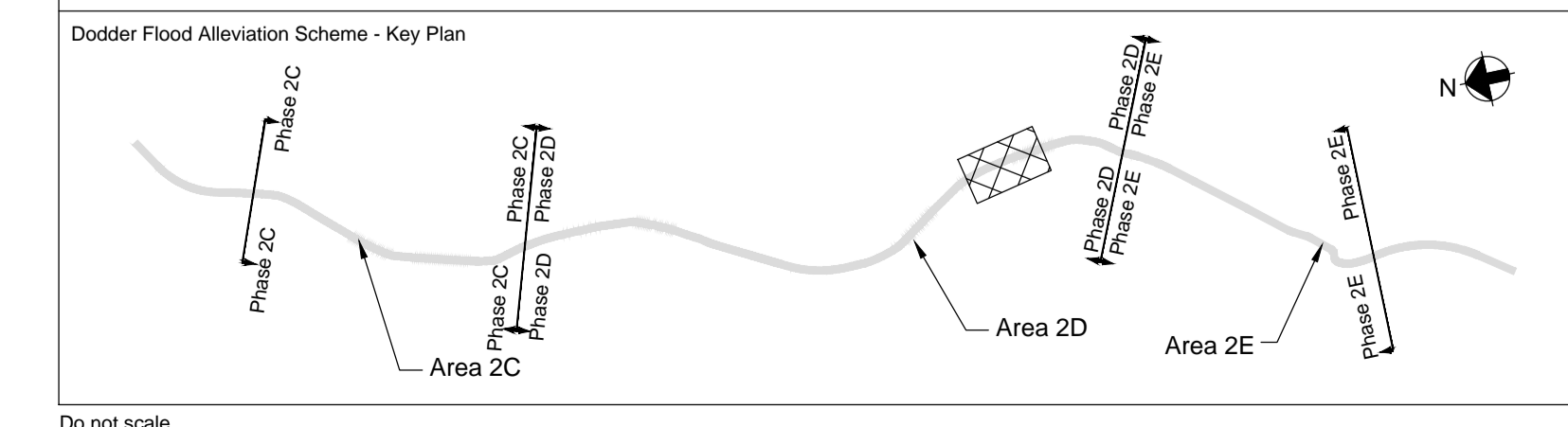


FOR PLANNING

- NOTES:
1. ALL LEVELS ARE IN m.O.D. MALIN.
  2. ALL DIMENSIONS IN m UNLESS OTHERWISE NOTED.
  3. EXISTING SERVICES SHOWN FOR GENERAL INFORMATION PURPOSES ONLY.



- LEGEND:
- SITE BOUNDARY
  - x - EXISTING FENCE
  - - - EXISTING ESB
  - - - PROPOSED FENCE/SCREENING
  - NEW FLOOD WALL
  - - - ORIGINAL FLOOD WALL PROPOSAL
  - EMBANKMENT WITHOUT WALL
  - EMBANKMENT WITH WALL
  - CONCRETE CANTILEVER WITH WALL



Issue	Date	By	Chkd	Appd
P1	06/04/17	VB	BT	IA

Clients

DUBLIN CITY COUNCIL  
Comhairle Cathrach Bhaile Átha Cliath  
ENVIRONMENT AND ENGINEERING DEPARTMENT  
An Roinn Comhshaoil agus Innealtóireachta

Contractor

Project Title  
**Donnybrook Greenway**

Scale at A1  
1:200 @ A1

Date:  
April 2017

Consultant

Arup, 50 Ringsend Road  
Dublin 4  
Tel +353(0)1 233 4455 Fax +353(0)1 668 3169  
www.arup.ie

Drawing Title  
**Area 2D - Donnybrook RFC  
Chainage 16820 - 16680  
Proposed Plan Layout - Cross Sections**

Drawing Status  
**For Planning**

Project No  
**253355**

Drawing No  
**D-DL-A-0300**

Issue  
**P1**